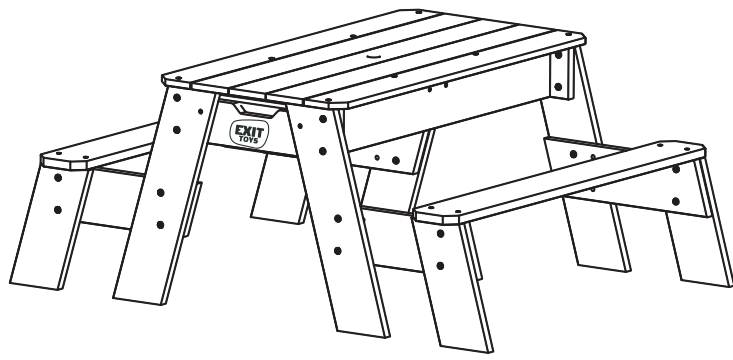
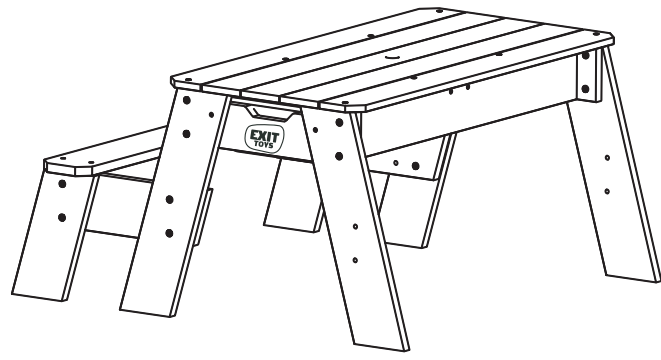




Aksent

EXIT Aksent Sandtables



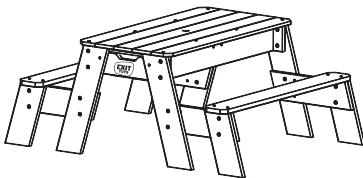
EXIT Aksent sandtables



Table L




Picknick Table L (1 bench)



Picknick Table L (2 benches)




- 1**




62.10.70.05 | 2X

2

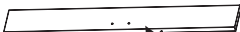


62.10.78.05 | 1X

3




62.10.77.05 | 2X
 - 4**




62.10.98.05 | 2X

5

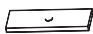


62.10.89.05 | 4X

6




62.10.73.00 | 2X
 - 7**




62.10.76.05 | 1X *

8




62.10.80.05 | 2X

9




67.05.01.05 | 2X
- 10**




M6x35 | 8X

11

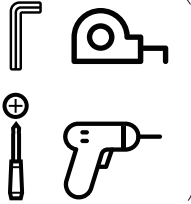


Ø4x40 | 20X

12

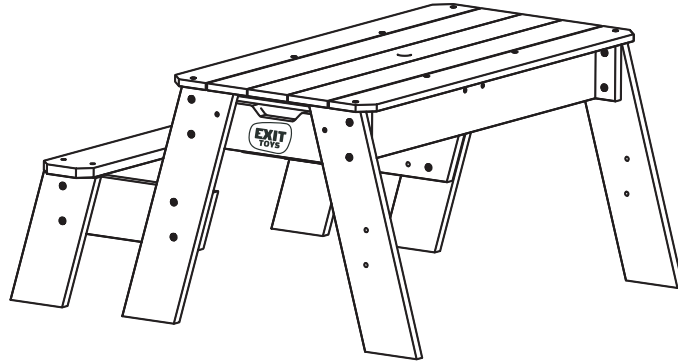


Ø4x30 | 12X

62.99.10.00 | 1X
- 

* BOX REFERENCE: XX.XXX
 PRODUCTION ID: XXX XXX





1



62.10.70.05 2X

2



62.10.78.05 1X

3



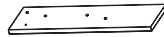
62.10.77.05 2X

4



62.10.98.05 2X

5



62.10.89.05 4X

6



62.10.73.00 2X

7



62.10.76.05 1X *

8



62.10.80.05 2X

9



67.05.01.05 2X

13



62.10.96.05 1X

14



62.10.97.05 2X

15



62.10.95.05 2X

10



M6x35 16X

11



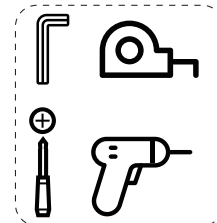
Ø4x40 24X

12



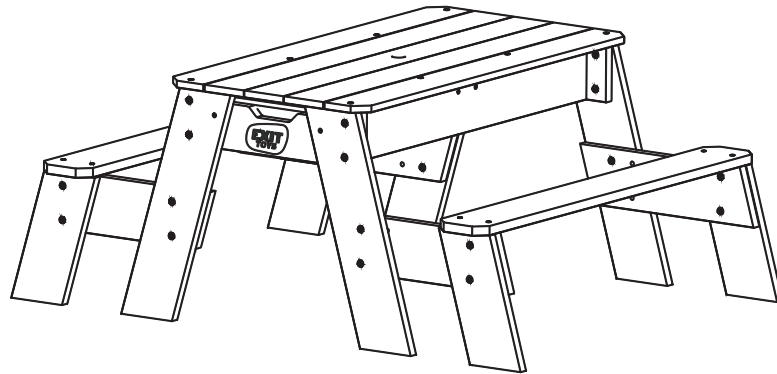
Ø4x30 12X

62.99.10.08 1X




* BOX REFERENCE: XX.XX.XX
 PRODUCTION ID: XXX XXX






- 1**



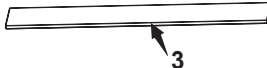
62.10.70.05 2X

2

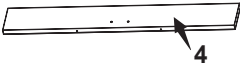


62.10.78.05 1X

3

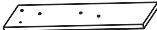


62.10.77.05 2X
- 4**




62.10.98.05 2X

5

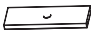


62.10.89.05 4X

6




62.10.73.00 2X
- 7**




62.10.76.05 1X*

8




62.10.80.05 2X

9




67.05.01.05 2X
- 13**




62.10.96.05 2X

14




62.10.97.05 4X

15




62.10.95.05 4X
- 10**




M6x35 24X

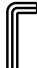
11





Ø4x40 28X


12



Ø4x30 12X
- 



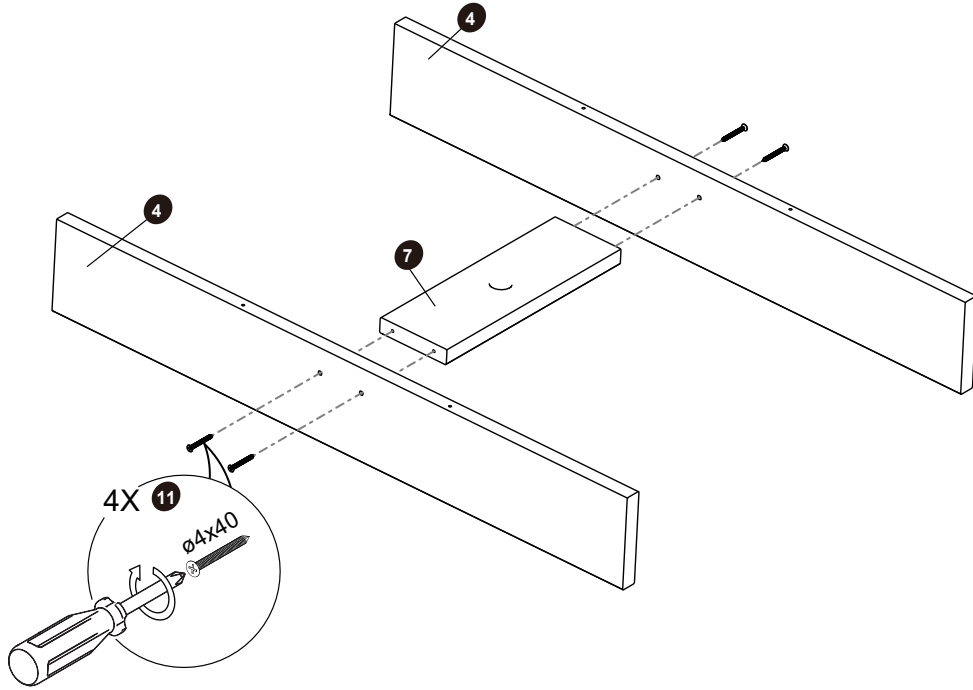



- 62.99.10.10 1X

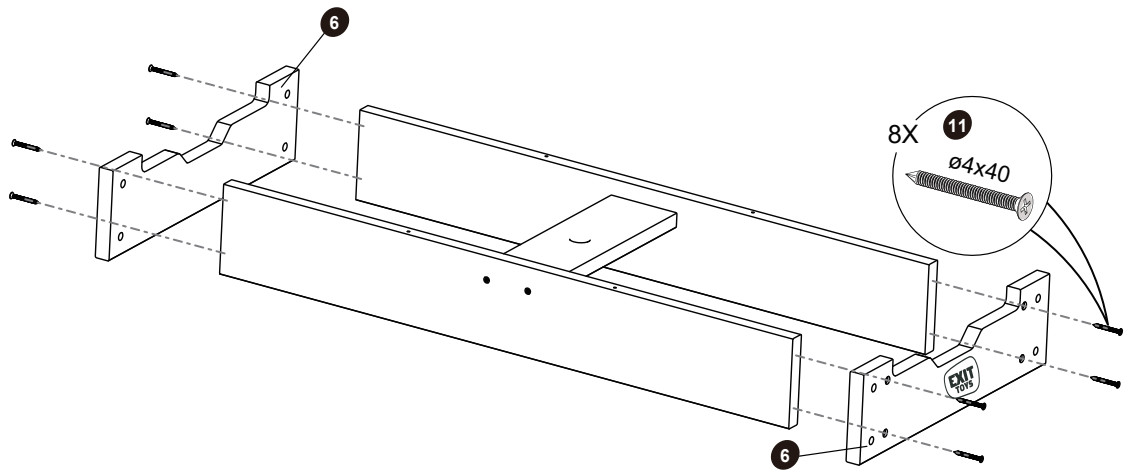
* BOX REFERENCE: XX.XX.X
 PRODUCTION ID: XXX XXX



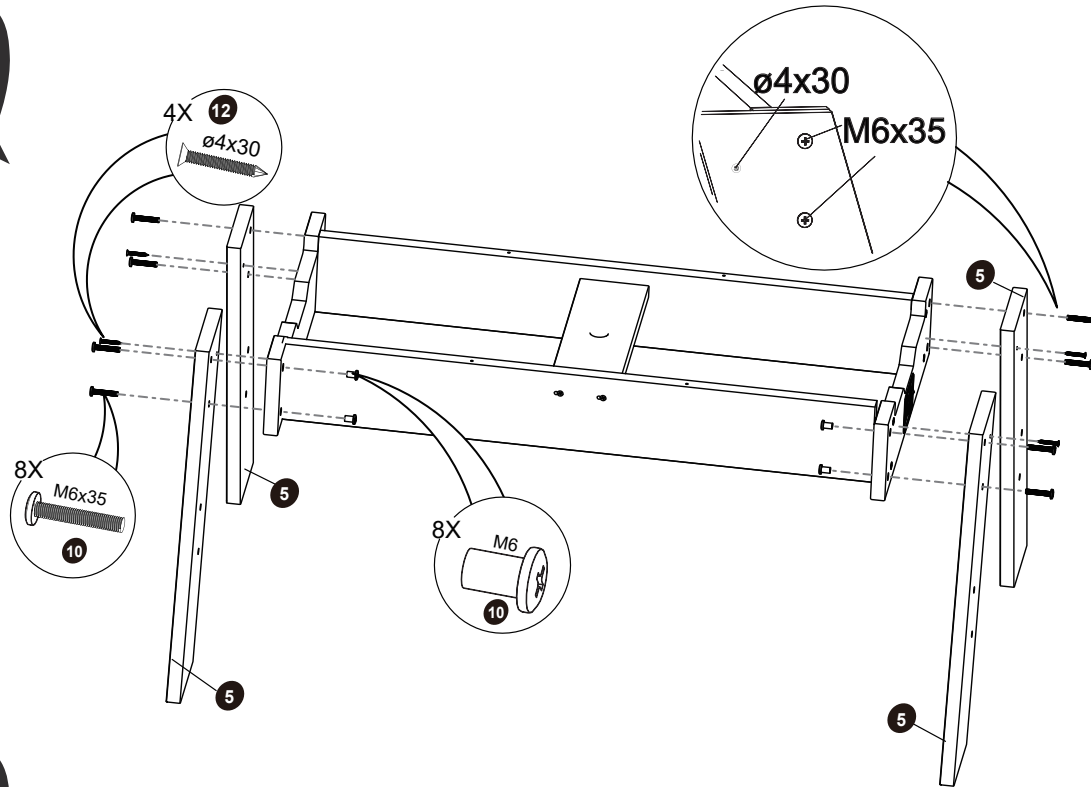
1



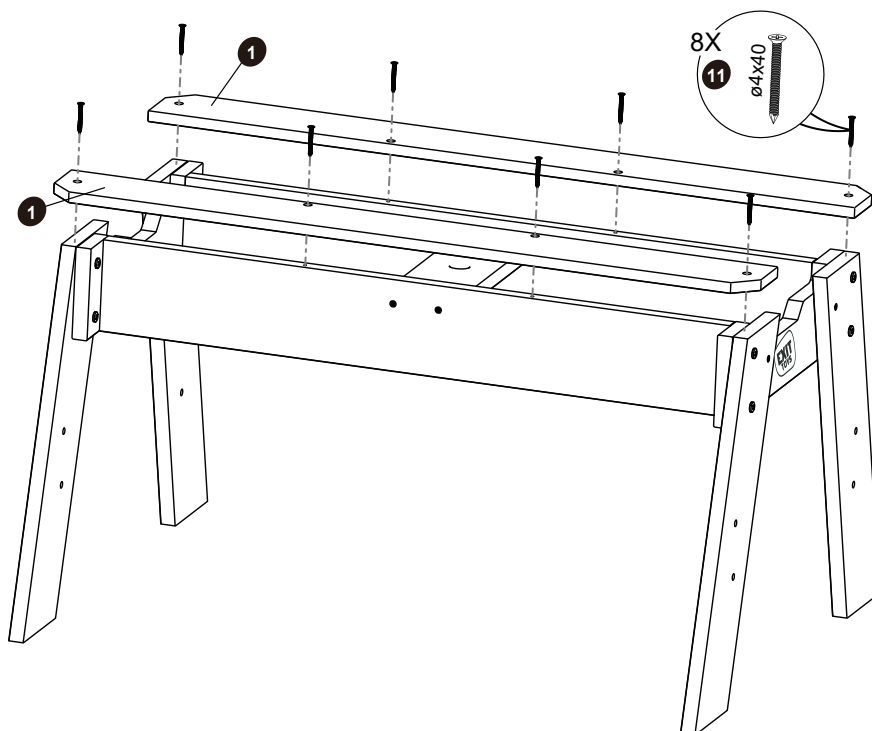
2



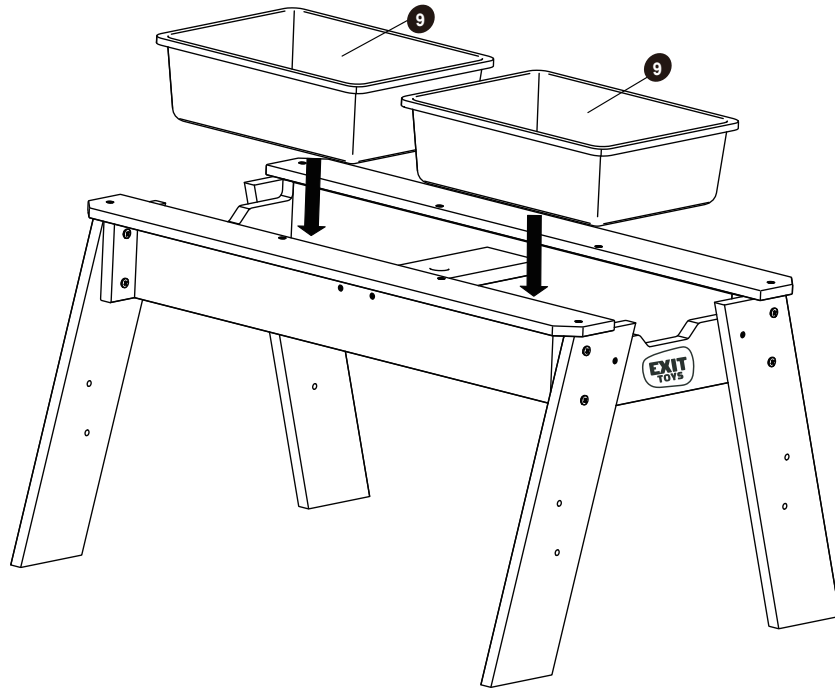
3



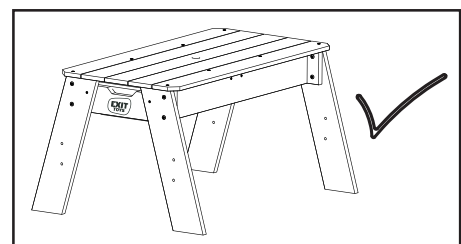
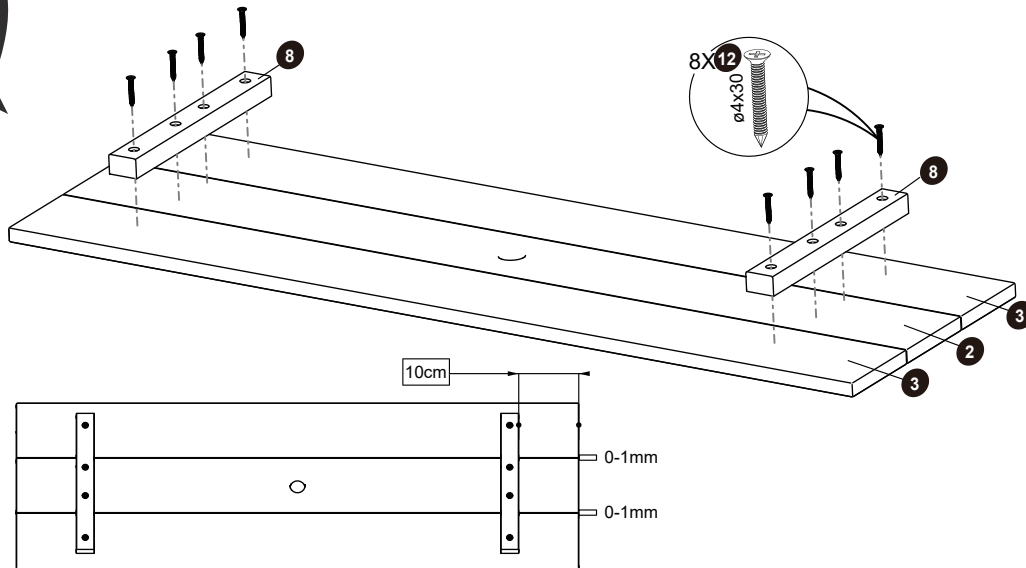
4



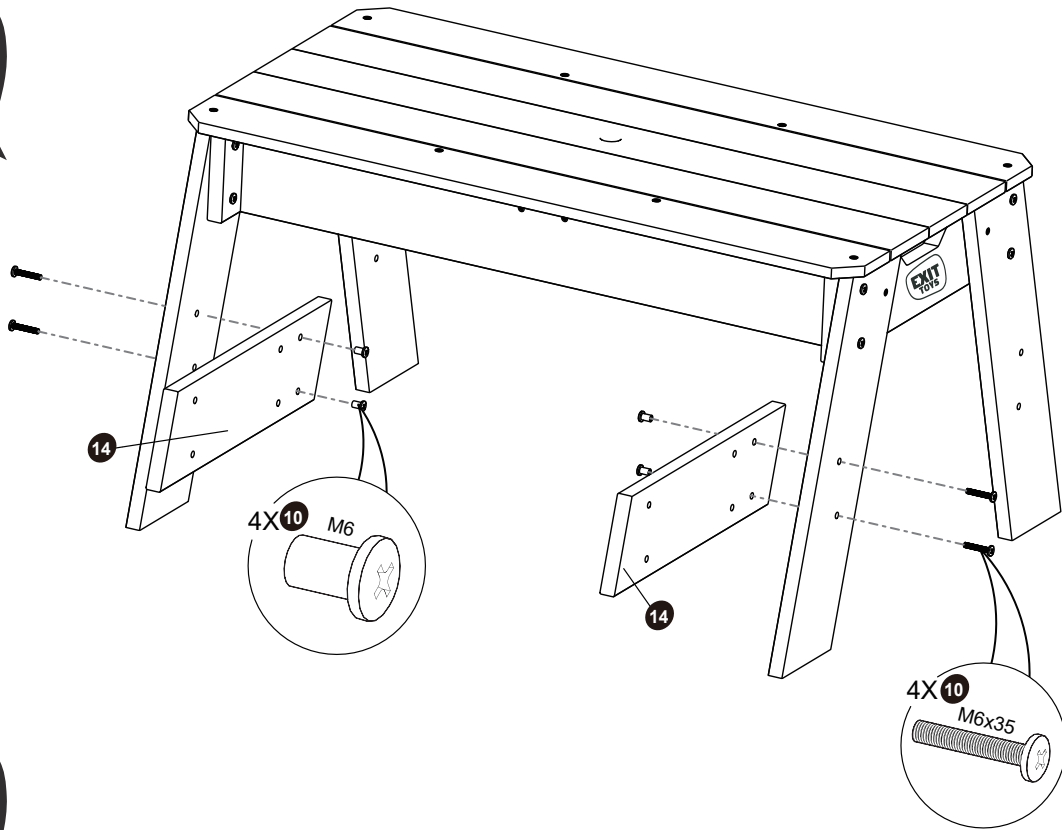
5



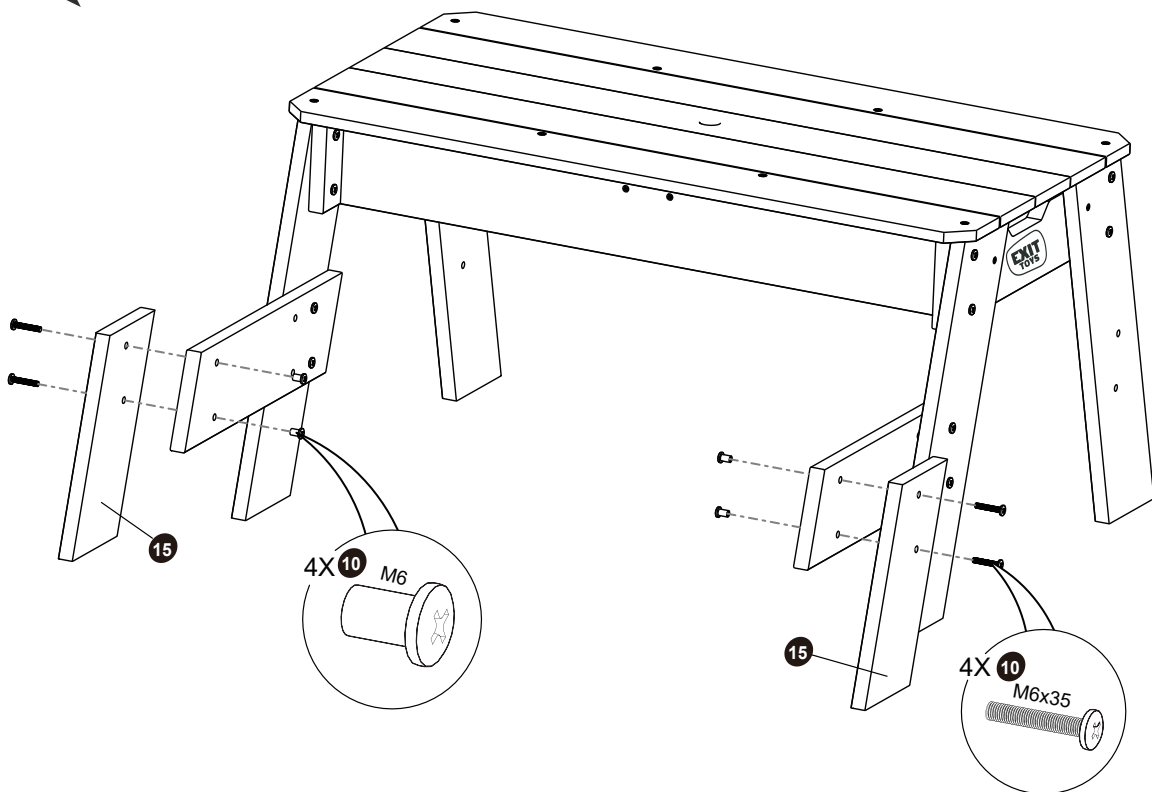
6



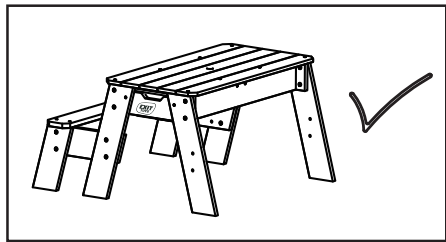
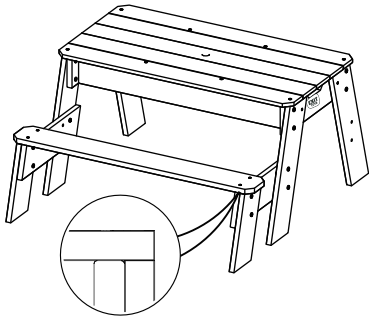
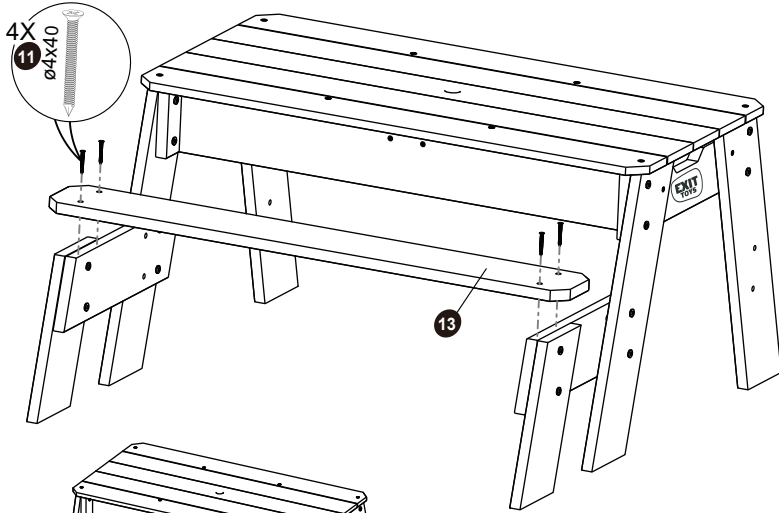
7



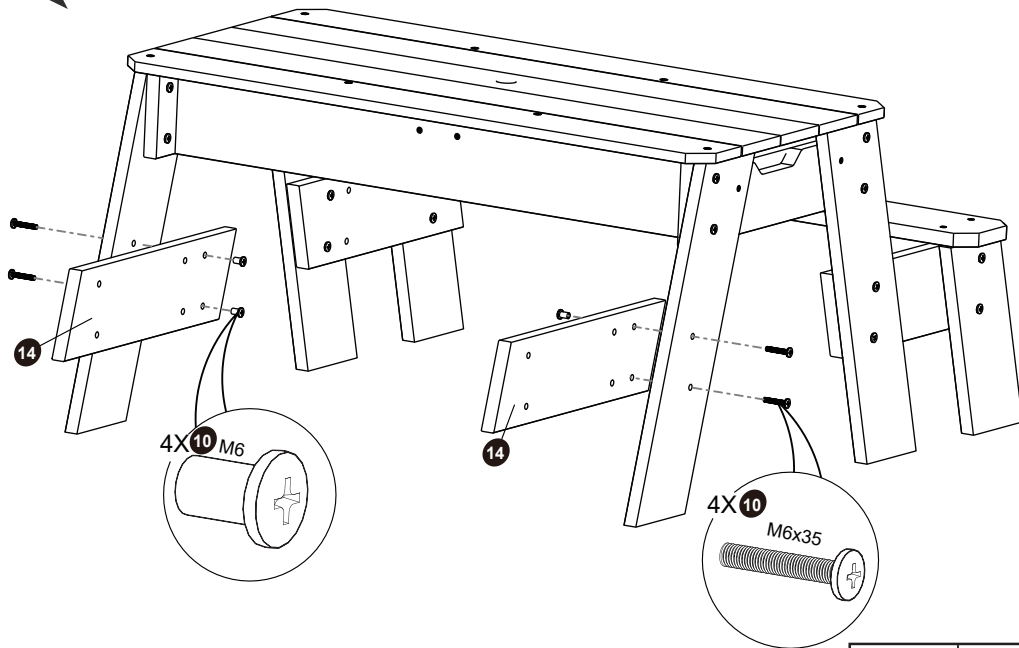
8



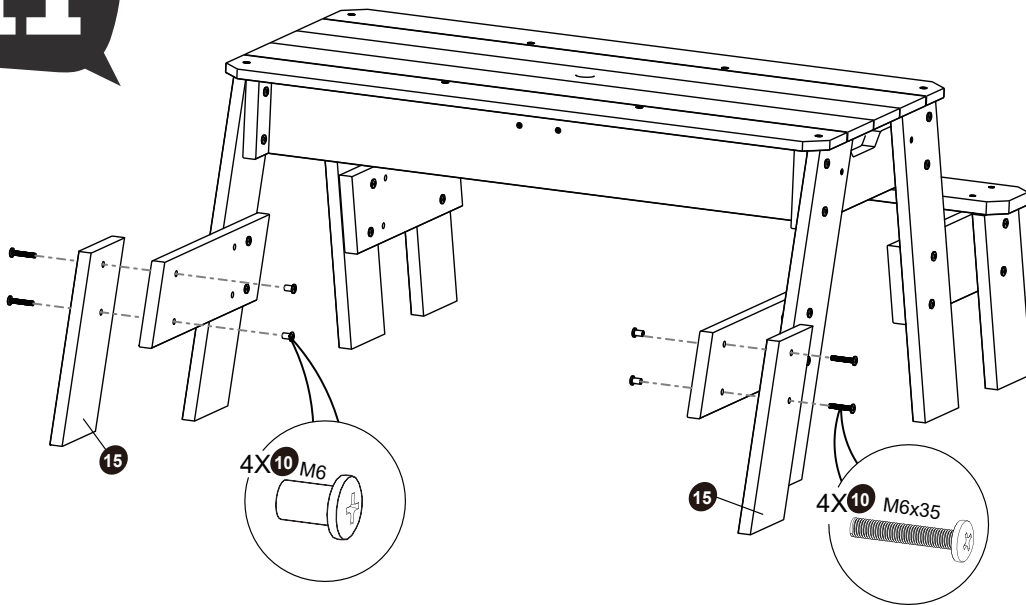
9



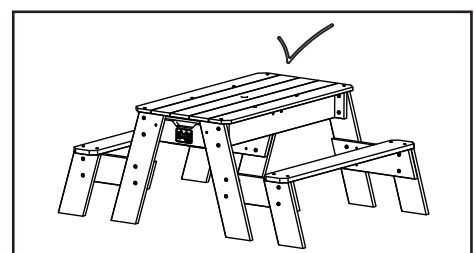
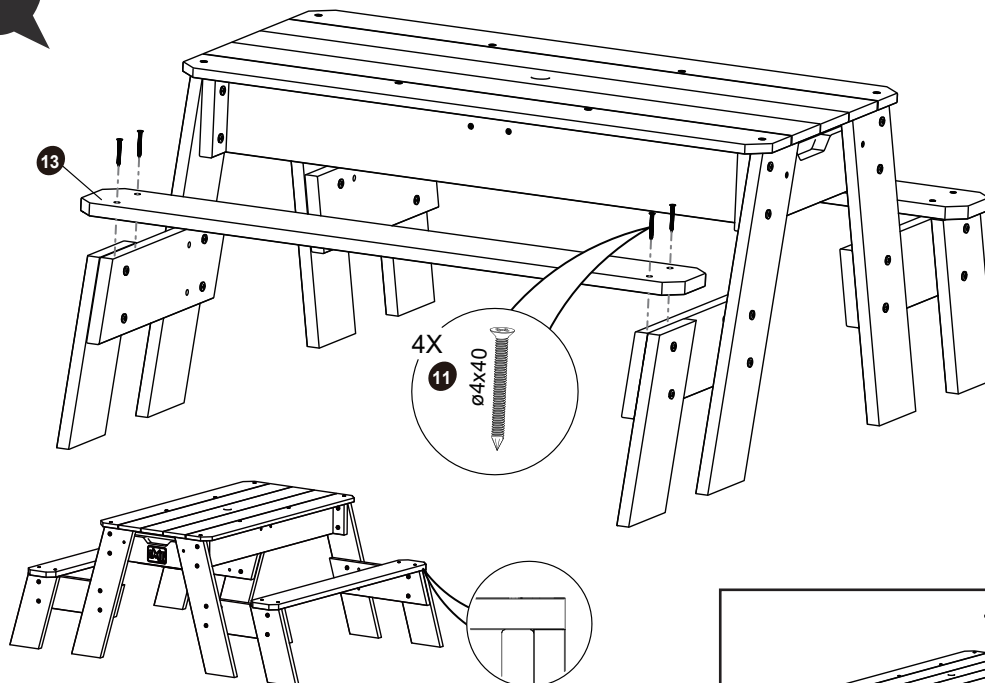
10



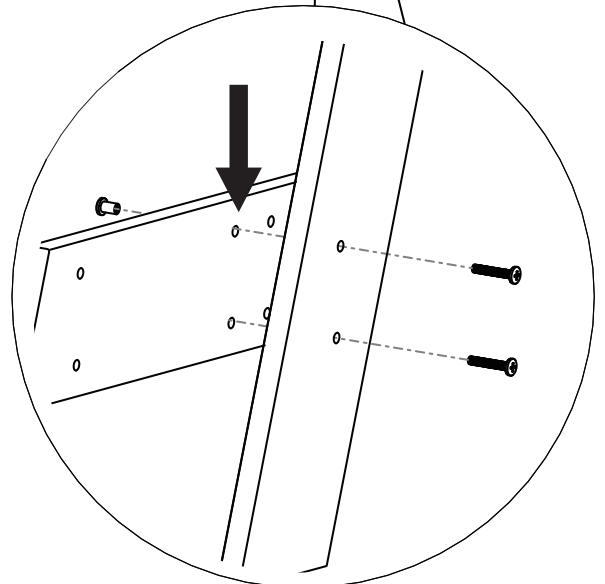
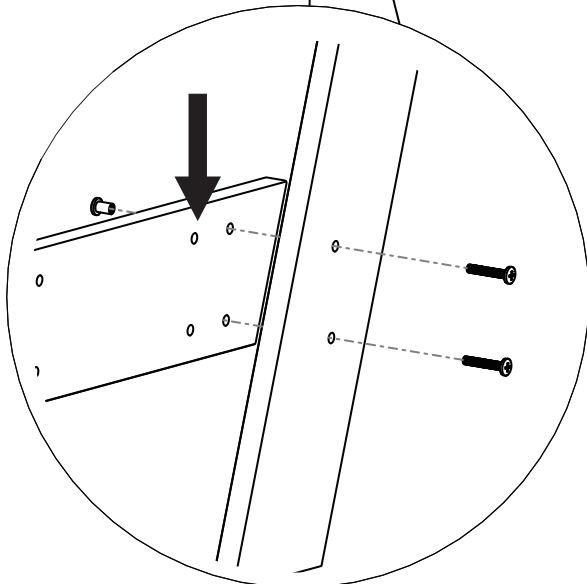
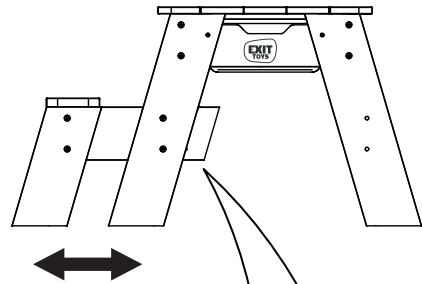
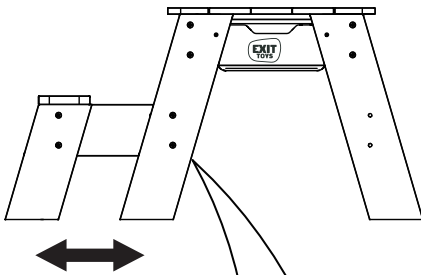
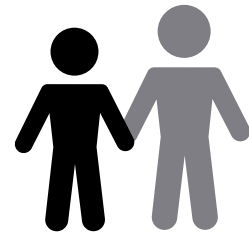
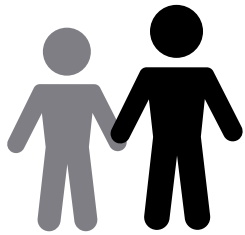
11



12



Appendix A







www.exittoys.com



Contact Information:

Dutch Toys Group B.V.
Edisonstraat 83
7006 RB Doetinchem, The Netherlands

info@exittoys.com
www.exittoys.com

EXIT Toys is part of:

SIMBA · DICKIE · GROUP

EXIT Toys is a registered trade mark of Dutch Toys Group